

TRUE ONLINE DOUBLE CONVERSION TECHNOLOGY

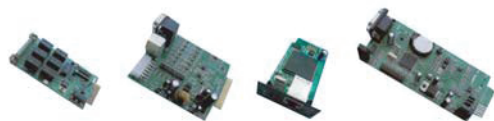
ZC-MP
1:1 Phase

Rating
6kVA, 10kVA



LCD Operation

LCD control panel consists of LCD display board, LED and buttons, which displays and controls these information including Running information, alarm information, function setting information.

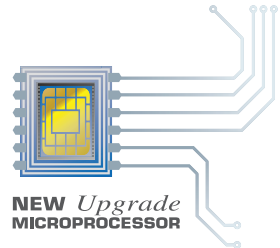


Intelligent slot optional

- Relay Card
- Centralized monitoring card
- SNMP Card
- Parallel port module



Model: **ZC-MP** 6kVA, 10kVA



Features

- True Online Double Conversion
- Non transfer time of output
- PFC Technology
- Full Digital Control (DSP)
- Output Power Factor 0.9
- Input Current Harmonic 5%
- Economic Operation Mode (ECO)
- Charging / Rectifier / Inverter Fully digital control Technology
- Wide Voltage range 120VAC-276VAC
- Wide Input Frequency range 40-70Hz
- Self-testing when UPS Startup
- Input over/under-voltage protection
- Automatic Bypass
- Cold Start (DC)
- Fault isolation
- RS232 port, dry contact, RS485*2
- Optional SNMP card slot

QUALITY STANDARD COMPLIANCE

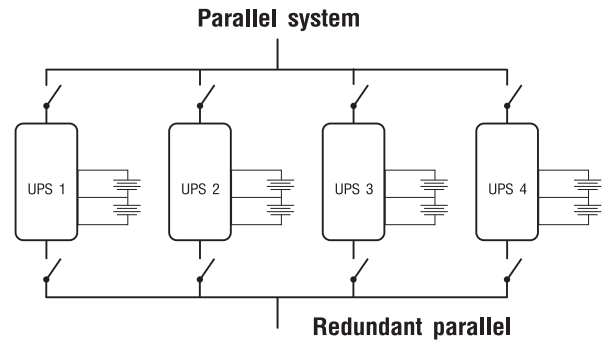


ISO9001:2008, ISO14001, FCC, CE, UL, LVD, EMC

ZC-MP
True Online UPS



ZC-MP series is single phase in single phase out on line intelligent UPS, can provide safe protection for small and middle sized servers and industry equipments, and adapts to various network system devices. On line design ensures a stable and clean power supply environment. Parallel design and intelligent management meet the requirement of the advanced network system



Capacity	6000VA / 5400W	10000VA / 9000W
Input		
Phase	Single phase & Ground	
Rated Voltage	220/230VAC +/-25%	
Frequency Range	40Hz - 70Hz	
Power Factor	>0.99	
Bypass Voltage Range	Max. voltage : +15% (optional +5%, +10%, +25%) Min. voltage : -45% (optional -20%, -30%)	
ECO Range	Frequency protection range +/-10% same as the bypass	
Harmonic Current	≤ 5% (100%non-linear load)	
Output		
Phase	Single phase & Ground	
Rated Voltage	220/230 VAC	
Power Factor	0.9	
Voltage Precision	+/-1%	
Output Frequency	- Utility Mode 1%, 2%, 4%, 5%, 10% of the rated frequency (optional) - Battery Mode 50Hz +/-0.1%	
Crest Factor	3:1	
Transfer Time	Utility to Battery : 0 Msec Utility to bypass : 0 Msec (following)	
Overload Capacity	Load ≤110%,60min, ≤125%,10min, ≤150%,1min, >150% shutdown UPS immediately	
THD	≤ 2%	
Efficiency	ECO mode ≥98% ; Normal mode ≥90%	
Battery		
Voltage DC Bus	192/216/240 VDC	
Backup Time	15-30Mins. (Depend on load), Long time unit depends on the capacity of external batteries.	
Charge Current (A)	1A (Standard) ; Maximum 6A	
Communication Interface	RS232, Optical coupler dry contact, RS485, SNMP card (Optional), Parallel caed (optional) Centralized monitoring card	
Operation Environment		
Temperature	0 c - 40 c	
Humidity	0-95% (Non condensing)	
Storage temperature	-25 c - 55c	
Altitude	<1500m	
Other		
Unit Dimensions WxDxH (mm)	250W x 590D x 655H	
Weight (Kg)	6kVA: 70kg	10kVA: 80kg
Industry Standard	CE, EN/IEC 62040-2, EN/IEC 62040-1-1	

- All specifications subject to change without notice.
- Custom-made specifications are acceptable.